

**Foreword**

**Thank you for purchasing Aputure "Light Storm" LS C120 d II**

The Aputure LS C120D II is a complete re-design of the original C120D. We've taken all of your favorite features of the C120D and have jam packed it with upgrades, improvements and new features.

**Instructions**

- Please read and follow these instructions and keep well this manual for further use.
- Please unlock the protection cover before using.
- Please do not block the ventilation and do not look at the light directly when it's on.
- Please do not place the LED light device close to liquids or other flammable objects.
- Keep the device out of reach of children.
- Only use a microfibre and dry cloth to clean the product.
- To reduce the risk of fire or electric shock, do not use the product near water.
- Please have the product checked by an authorized service or agent if your product has a problem.
- The malfunctions caused by your no allowed disassembling are not under the warranty.
- Use of original Aputure cable accessories is recommended. Please note that this warranty does not apply to repairs arising out of the malfunction of non-original Aputure accessories, although you may request such repairs on a chargeable basis.
- The product is certified by RoHS, CE, KC, PSE and FCC. Please operate the product in full compliance with the operation standards. Please note that this warranty does not apply to repairs arising from malfunction, although you may request such repairs on a chargeable basis.
- The instructions and information in this manual are based on thorough, controlled company testing procedures. Further notice will not be given if the design or specifications change.



**FCC Compliance Statement**

This device complies with Part 15 of the FCC Rules. Operation is subject to the following two conditions:  
(1) This device may not cause harmful interference, and (2) This device must accept any interference received, including interference that may cause undesired operation.  
**Warning:** Changes or modifications not expressly approved by the party responsible for compliance could void the user's authority to operate the equipment.  
**NOTE:** This equipment has been tested and found to comply with the limits for a Class B digital device, pursuant to Part 15 of the FCC Rules. These limits are designed to provide reasonable protection against harmful interference in a residential installation. This equipment generates uses and can radiate radio frequency energy and, if not installed and used in accordance with the instructions, may cause harmful interference to radio communications. However, there is no guarantee that interference will not occur in a particular installation. If this equipment does cause harmful interference to radio or television reception, which can be determined by turning the equipment off and on, the user is encouraged to try reorient or relocate the receiving antenna.

Detailed product manual for Light Storm can be found on [www.aputure.com](http://www.aputure.com).

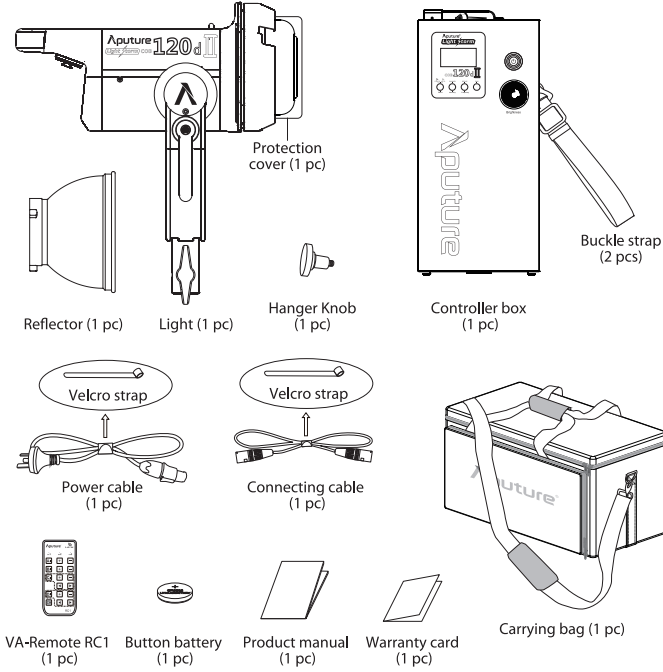
- Increase the separation between the equipment and receiver.
- Connect the equipment into an outlet on a circuit different from that to which the receiver is connected.
- Consult the dealer or an experienced radio/TV technician for help.

**RF warning statement:**

The device has been evaluated to meet general RF exposure requirement. The device can be used in portable exposure condition without restriction.

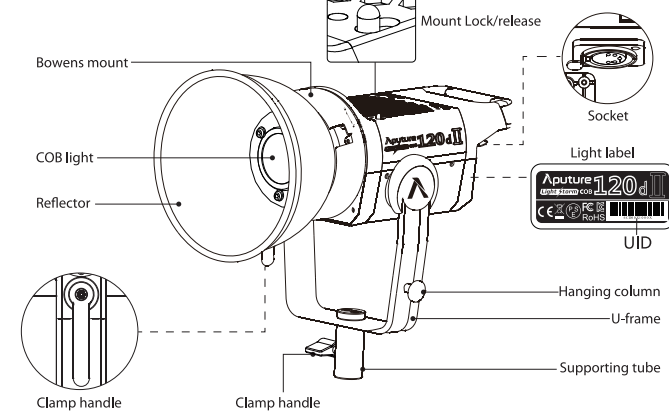
**Check list**

When you unbox the product, please make sure everything listed below are included. Otherwise, please contact the seller immediately.

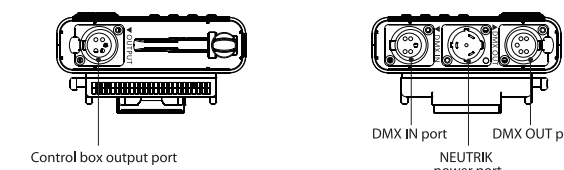
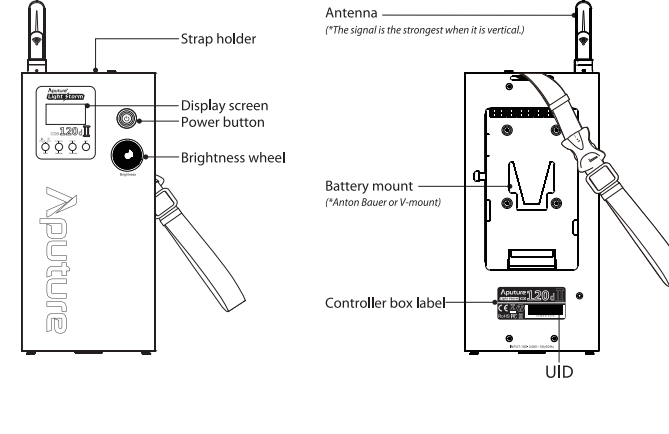


**Product Details**

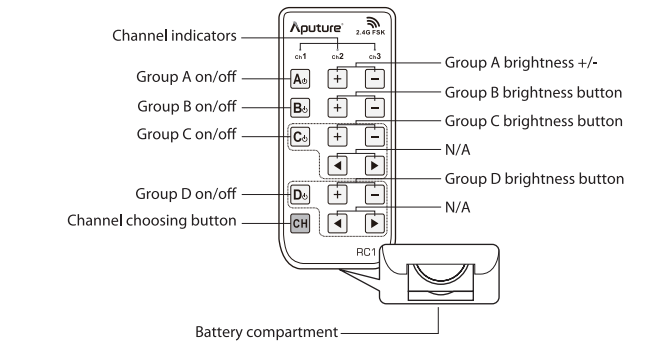
**1. Light**



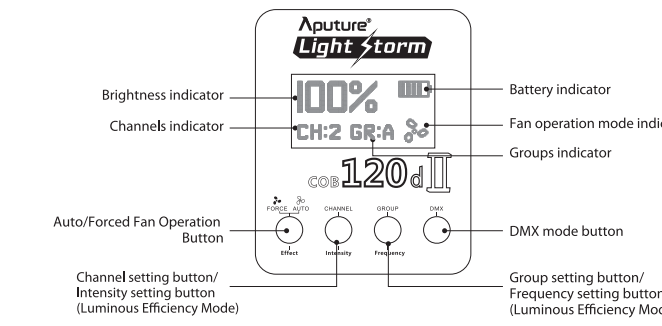
**2. Controller box**



**3. VA-Remote RC1**

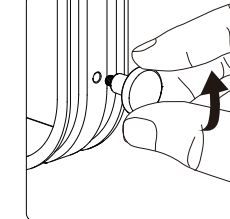


**4. Display screen**



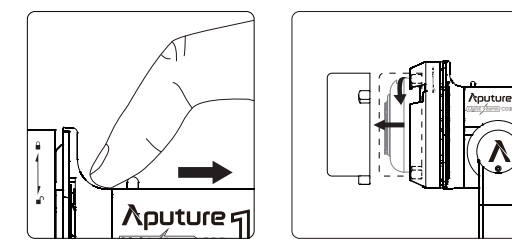
**Installations**

**1. Install the hanging column**



**2. Detach and Attach the Protection Cover**

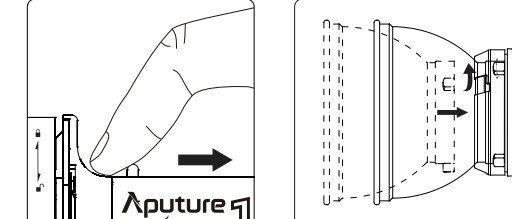
Pull the lock backwards, rotate the cover clockwise, then detach the cover.



Notice: Always remove the protection cover initial to operation. And always install it back after operation.

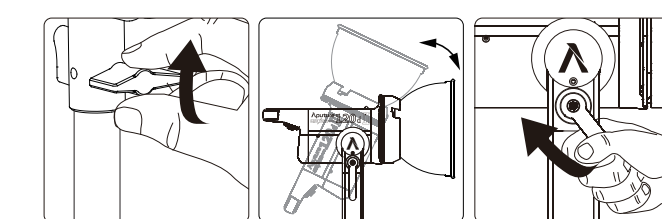
**3. Reflector install and unlock**

Pull ejector handle back, and install reflector as the picture shows. Unlock reflector rotate in the opposite direction.

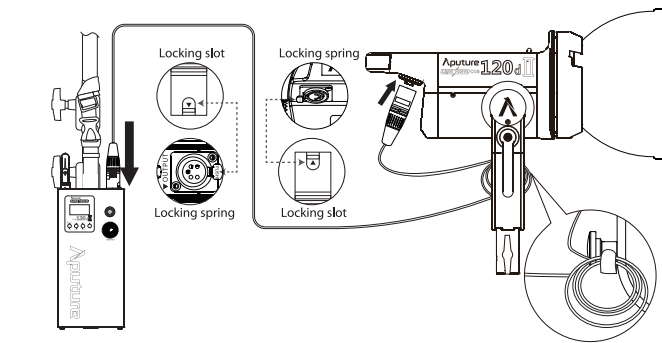


**4. Install the light**

Set the light at your desired angle, then use the clamp handle to install the light onto stand and fasten.



**5. Use connecting cable connect light to controller box**



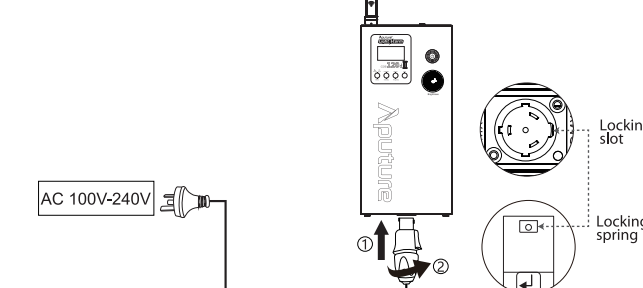
\* Hang the controller box on the tripod by buckle.

\* Tie the connecting cable around the hanging column.

\* Please pull the connect cable out by pushing the locking spring down on the light and controller box.

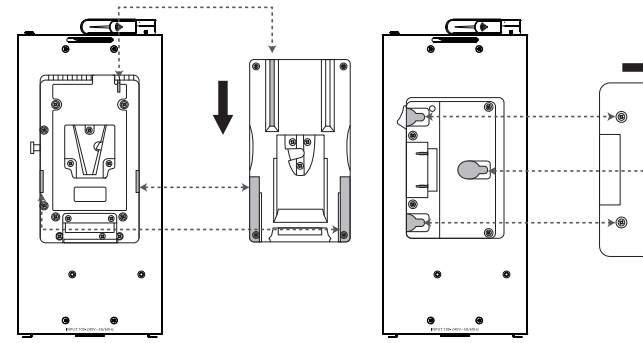
**6. Dual power supply**

1) Powered by AC



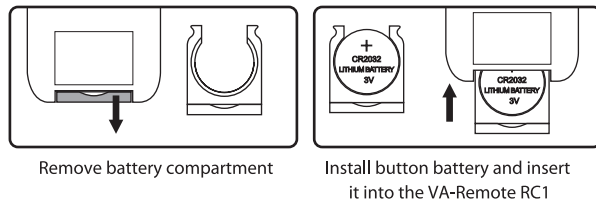
\* Please pull the 5-pin XLR socket out by pushing the locking spring down on the controller box.

2) Powered by the battery



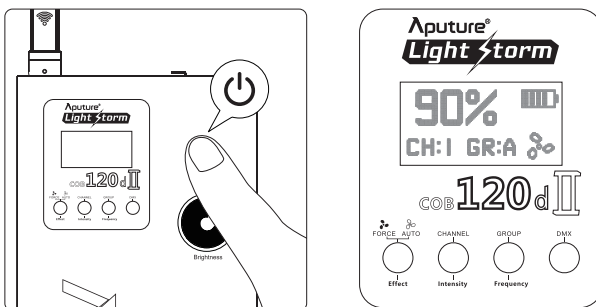
\* Battery output currents 13A, Voltage 12~16.8V.  
\* Please buy the battery base on the model of the Light Storm you choose.  
\* Please make sure to purchase the correct battery base, e.g. IDX DUO-C198.

**7. Insert the button battery to power VA-Remote RC1**



**Operations**

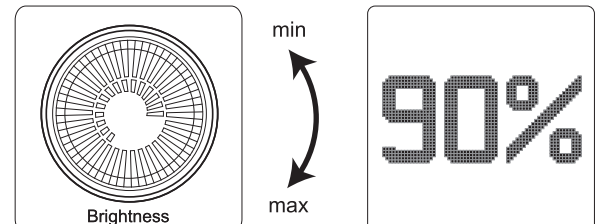
**1. Press the power button to on/off the light**



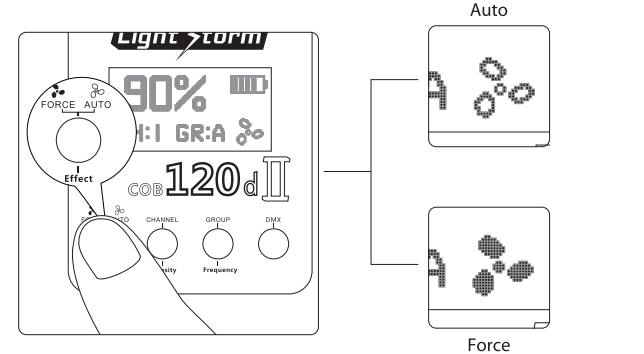
\*\*Channel 1, Group A\* is by default.

**2. Manual controlled by the controller box**

1) Rotate the wheel to adjust the brightness from 0-100%



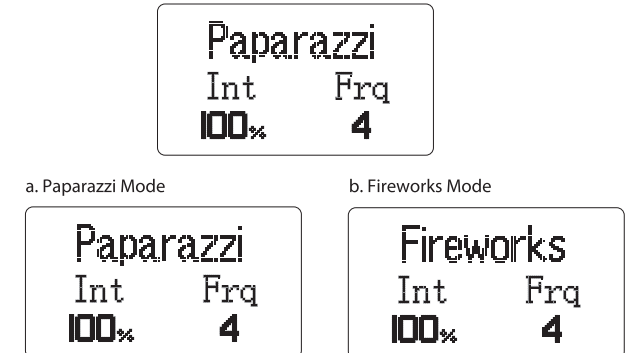
2) Short press the Auto/Force button to adjust the cooling fan between Auto mode and force mode.



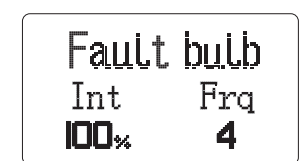
① Auto Mode: The cooling fan operates automatically according to internal temperature. Auto mode is by default.  
② Force Mode: The cooling fan operates at the fastest speed. (Highly recommended when shooting in high temperature environment)

**3) Lighting Effect Mode**

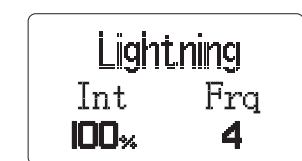
① Press the Effect button for 2 seconds to active Lighting Effect mode, then short press the Effect button to shift effects between Paparazzi, Fireworks, Fault bulb, Lightning, and TV.



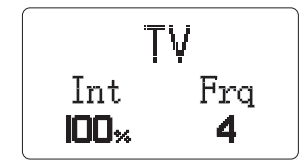
**c. Fault bulb Mode**



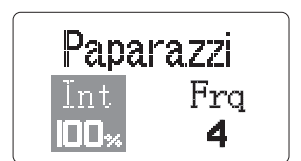
**d. Lightning Mode**



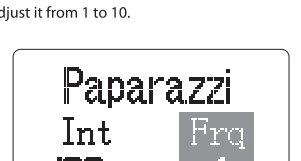
**e. TV Mode**



**2) Under Lighting Effect mode, short press the INT button to activate Intensity Adjust. Then rotate the wheel to adjust intensity from 10% to 100% as displayed on the screen.**



**3) Under Lighting Effect mode, short press FRQ button to activate Frequency Adjust. Then rotate the wheel to adjust it from 1 to 10.**



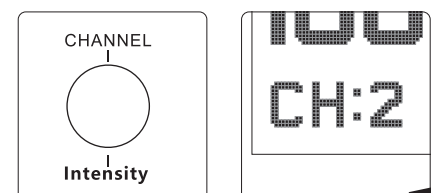
\*If the power was cut off accidentally, the last setting will be restored automatically when the power is reconnected.

**3. Remote Control**

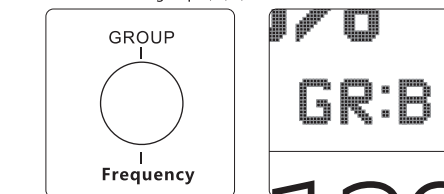
You can control the LS C120d II from any channel or group configuration.  
\*The Light Storm has three channels (1/2/3) and four groups (A - B - C - D).

**1) Setting on controller box**

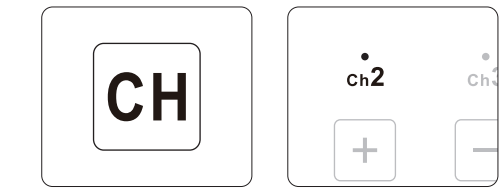
① Press CHANNEL button to select 1, 2, or 3.



② Press GROUP button to select group A, B, C, or D.



2) Setting on the remote



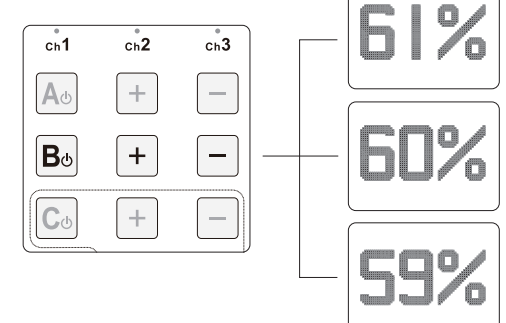
Press the CH button to select channel

\*ch2\* indicator lights

The controller setting is finished.

**3) Dimming brightness and CCT**

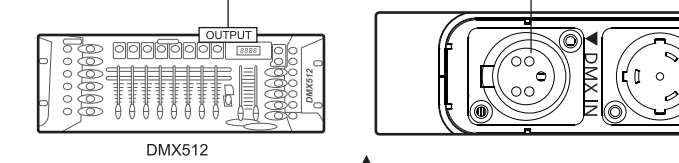
Press A/B/C/D to on/off the light, press +/- to dim the light from 0 to 100%, and press </> to dim CCT (Only for bi-color lights)



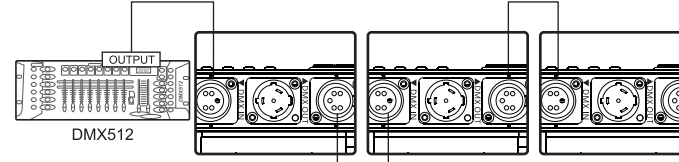
\*Please note this remote is used to control on/off the light and dimming functions only. It will not work under Lighting Effect mode.

**4. The DMX control**

1) Connect a standard DMX console

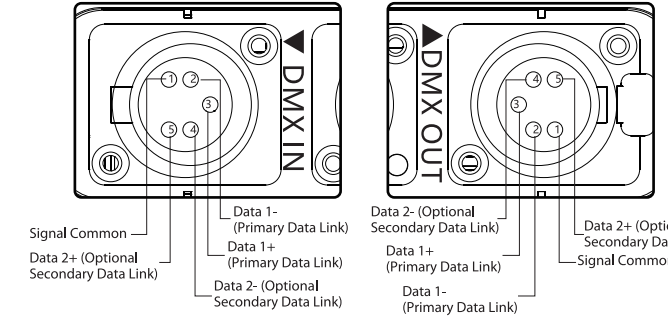


Only one Light Storm



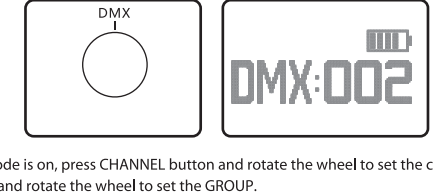
One by one

\* See the interface definition of the DMX as the picture shows:



**2) DMX Settings**

① Press DMX button to activate DMX mode.



② When DMX mode is on, press CHANNEL button and rotate the wheel to set the channel; press GROUP button and rotate the wheel to set the GROUP.



**3) DMX Control**

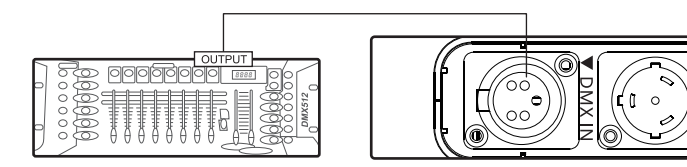
Under DMX mode, match the channel of your DMX controller with the light, then adjust accordingly.

\* Channel 1 is by default under DMX mode.

\* DMX channel range is 1 to 512 on LS C120D II.

**5. Controlling Effects Via DMX**

1) Connect DMX controller OUTPUT to C120D II controller INPUT.



2) Long press Effect button to activate Lighting Effect mode, then short press DMX button to activate DMX control.



3) Under Effect mode, short press Effect button to shift effects between Paparazzi, Fireworks, Fault bulb, Lightning, and TV.

4) Adjusting the intensity and frequency via standard DMX console.

① Under DMX mode, rotate the wheel to select DMX channel.



② One light DMX control. When the light is set at CH DMX 001, the DMX controller can dim to brightness on CH 001 and adjust frequency on CH 002. (The CH number to adjust frequency is always the subsequent one).

\* Under DMX control mode, you can only control intensity and frequency.

\* Multiple lights DMX control. When using two lights (A and B), we suggest to set A at CH 1 and B at CH 3, to control A via CH 1 and CH 2 on the DMX controller; to control B via CH 3 AND CH 4 on the DMX controller.

**Specifications**

Operation Current	<2A	Power Consumption	180W maximum
Power Supply	AC 100~240V 50/60Hz	Cooling Mode	Active Cooling
TLCI	≥97	Color Temperature	5500K
CRI	≥96	Channels	1/2/3
Radio Frequency	2.4GHz	Remote Ability	≤100m
Groups	A/B/C/D		
Sizes (L*W*H)	Light	300*193*124 mm	
	Controller box Anton Bauer Battery	314*119*51mm	
	Controller box (V-Mount)	314*119*62.6mm	

**Brightness (average)**

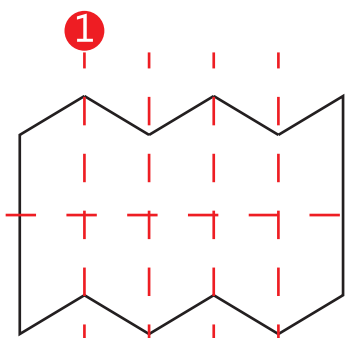
Distance	0.5m	1m	2m
Footcandles	2788	651	158
LUX	30000	7000	1700

\*This is an averaged result, the number might be slightly different on each light.

**Trademarks**

Bowens is a trademark or registered trademark of Bowens in the P.R.C and other countries.  
Anton Bauer is a trademark or registered trademark of Anton Bauer in the US and other countries.  
IDX is a trademark or registered trademark of IDX in the JP and other countries.

折页方式:



为折线(不印刷)

折页成型 (英文在正面):



Aputure® 深圳市爱图仕影像器材有限公司			
设计项目	119说明书	图号	AP-119-PR-01
尺寸 (mm)	780*280mm 折后尺寸: 97.5*140mm	版本	V1.0
材质工艺	70g 书纸, 正反两面印刷	设计师	119说明书
备注	料号: 511900020000	日期	20180727



LS C120 d II  
使用者指南

中文

前言

感谢您购买爱图仕“光·风暴”系列LED摄影灯—LS C120 d II.

爱图仕LS C120d II是在原光·风暴系列C120D基础上全新设计的以COB灯珠为光源的灯具。该灯具集成了C120D所有你喜爱的特性，并且通过升级使得整个结构更紧凑，在原特性上作了一些优化，新增了一些新的特性，可满足您不同场合的控光需求，轻松实现广播级摄影摄像。

重要提示

- 在使用本产品前，请认真阅读本使用者指南，并妥善保存以备后续参考查阅。
- 使用前请将灯头保护罩拔出。
- 本产品工作时，请勿遮挡散热孔，勿直视COB灯珠。任何情况下勿触摸COB灯珠。
- 勿将本产品置于液体或其他易燃，易挥发溶剂附近，避免损坏产品。
- 请妥善保管本产品，放置在儿童接触不到的地方。
- 请用软布、干布清洁本设备。
- 请勿在潮湿的环境下使用本设备，否则有短路或电击的危险。
- 请勿在潮湿的环境中使用本设备，否则有短路或电击的危险。
- 需要维修时请联系授权的维修人员。本设备内有精密电子线路，未经许可擅自拆卸会导致故障，不在本司保修范围内，但用户可以付费维修。
- 建议使用爱图仕原厂线材。由于使用非爱图仕原厂附件导致本产品的任何损坏，不在本司保修范围内，但用户可以付费维修。
- 本产品已通过RoHS, CE, KC, PSE和FCC认证，请参考相关国家标准使用和操作。因使用操作不当而造成机械损坏，不在保修范围内，但用户可以付费维修。
- 此使用者指南依据本公司严格测试制定。设计和规格如有变更，恕不另行通知。

FCC 符合声明:

此设备符合 FCC 规则第 15 部分中的规范。操作设备须符合以下两个条件:

- (1) 此设备不会导致有害干扰;
  - (2) 此设备可承受任何外来干扰，包括可能导致非预期操作的干扰。
- 【警告】如果用户未经爱图仕明确许可而进行改动或改装，可能会丧失继续操作该设备的权利。  
【注】此设备经测试符合符合 B 类数码设备 (依据 FCC 规则第 15 部分规范) 的限制。这些限制的设计旨在为居住场所安装条件下的有害干扰提供合理的保护。此设备生成、使用并可以发射射频能量。如果未按照指示安装和使用，可能对无线电通信造成有害干扰。但是，在特定安装条件下，不保证这类干扰不会发生。如果此设备确实对无线电或电视机接收信号造成有害干扰，而这一点可以通过关闭和打开设备来确定，那么建议您尝试使用以下一种或多种措施来消除干扰:

您可以在本网站 cn.aputure.com 中的投影视频系列产品栏目下找到本设备的详细使用者指南。

-1-

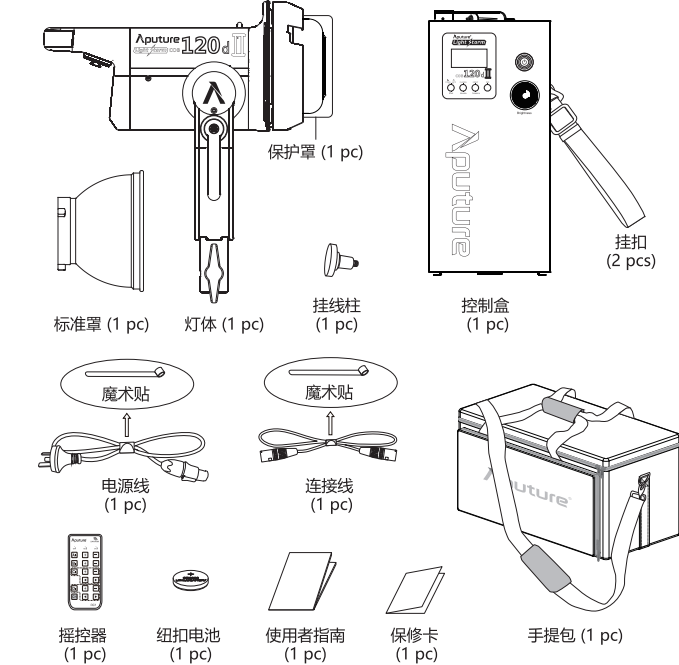
- 调整接收天线的方向或重新放置。
- 扩大设备与接收器之间的距离。
- 将设备连接到其他电路的插座中，而不是接收器所连接电路的插座。
- 咨询经销商或有经验的无线电/电视机技术人员以获得帮助。

FCC 辐射暴露声明

本设备符合 FCC 对未受控制环境所限制的辐射暴露限制。最终用户必须遵守射频暴露符合性的特定使用说明。

物品清单

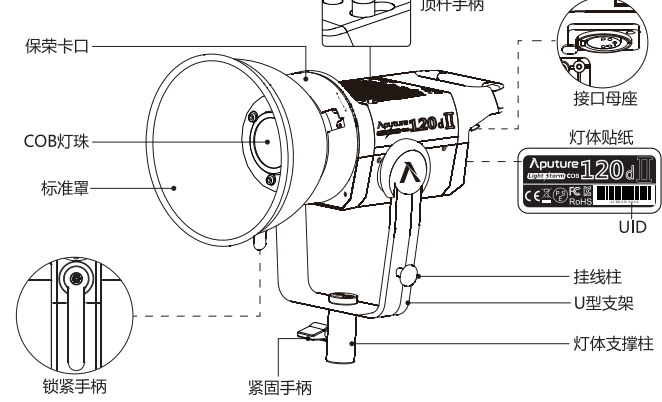
使用本产品前，请检查包装内是否包含所有以下物品。如有缺失，请与经销商联系。



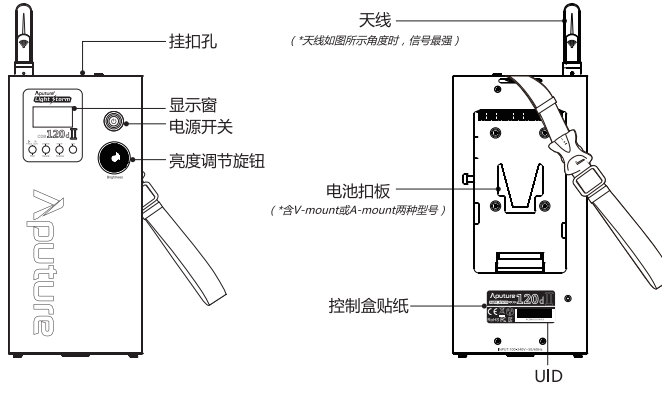
-2-

产品视图

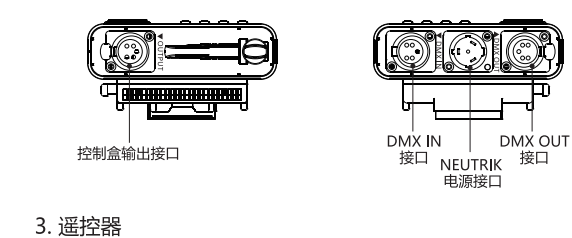
1. 灯体



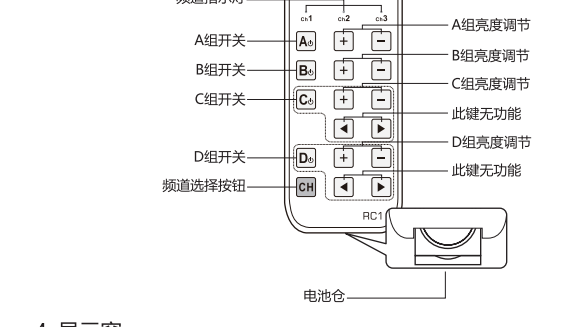
2. 控制盒



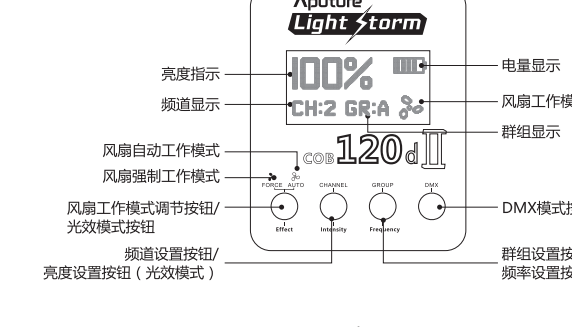
-3-



3. 遥控器



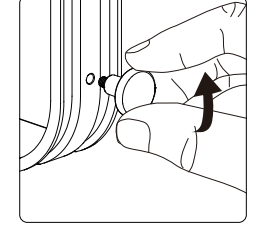
4. 显示屏



-4-

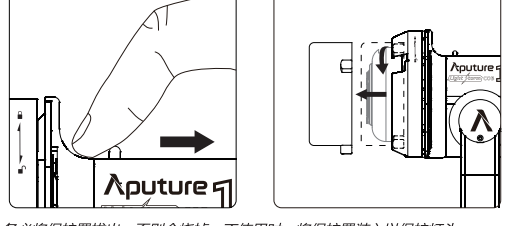
安装

1. 固定挂线柱



2. 保护罩的拆卸与安装

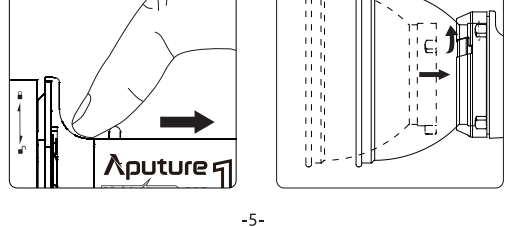
按照图示箭头方向扳顶杆手柄，同时将保护罩旋转出。反方向旋转则将保护罩装入。



\* 使用时，务必将保护罩拔出，否则会导致过热。不使用时，将保护罩装入以保护灯头。

3. 标准罩的安装与拆卸

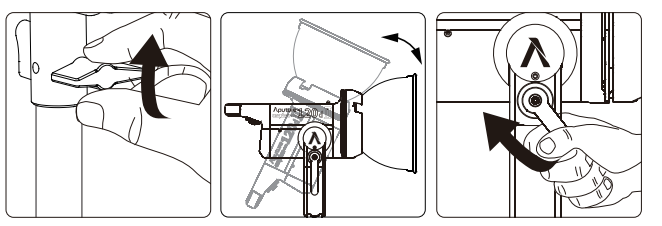
按照图示箭头方向扳顶杆手柄，同时将标准罩旋转入。反方向旋转则将标准罩拔出。



-5-

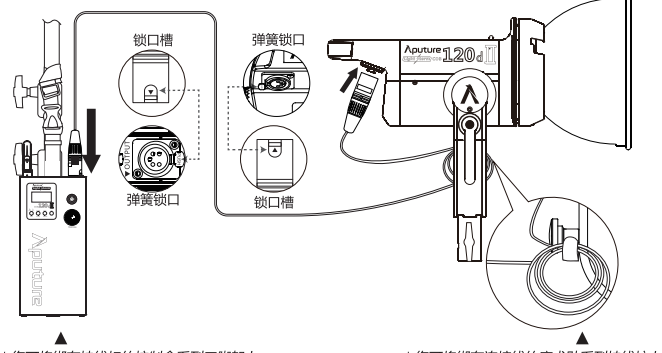
4. 固定灯体

调节灯体到合适角度，旋转紧固手柄安装灯体在三脚架上，再旋转把手固定灯体。



5. 连接灯体和控制盒

用连接线连接灯体和控制盒 (如图)。

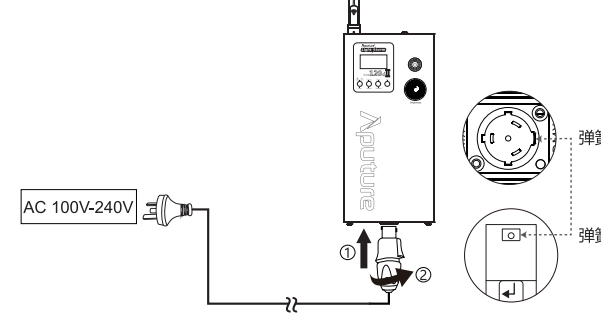


\* 您可将带有挂线柱的控制盒系到三脚架上。  
\* 拆卸连接线时，请压住灯体和控制盒上的弹簧锁口再拆卸，切勿硬拔。

-6-

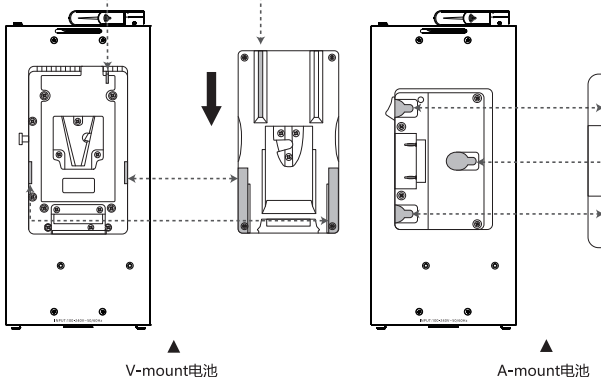
6. 供电

1) 交流电供电



\* 拆卸电源线时，请下压电源线上的弹簧锁口接口再拆卸，切勿硬拔。

2) 电池供电



\* 电池输出电流大于等于1.5A输出压范围为12~16.0V。  
\* V-mount和A-mount均使用AA型电池 (非镍氢)。您可使用需要另行订购的电池。  
\* 请确保选对正确型号电池，例如型号为DX DUO-C15R。

-7-

规格

工作电流	<2A	功耗(Max)	180W(最大)
工作电压	AC 100~240V 50/60Hz	散热方式	主动散热
TLCI	≥97	色温	5500K
CRI	≥96	频道	1/2/3
工作频率	2.4GHz	遥控距离	≤100m
群组	A/B/C/D		
尺寸 (长X宽X高)	灯体	300*193*124mm	
	控制盒 (A-mount)	314*119*51mm	
	控制盒 (V-mount)	314*119*62.6mm	

亮度测试数据

距离	0.5m	1m	2m
英尺烛光 ( fc )	2788	651	158
勒克斯 ( Lux )	30000	7000	1700

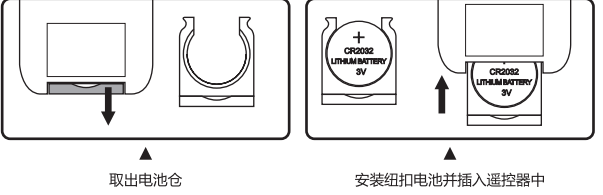
\* 亮度数据为平均数据，不同灯的亮度会有微小差异。

商标声明

Bowens等是保荣公司在中国或其他国家的商标及产品型号。  
Anton bauer等是安尔保尔公司在美国或其他国家的商标及产品型号。  
IDX等是IDX公司在日本或其他国家的商标及产品型号。

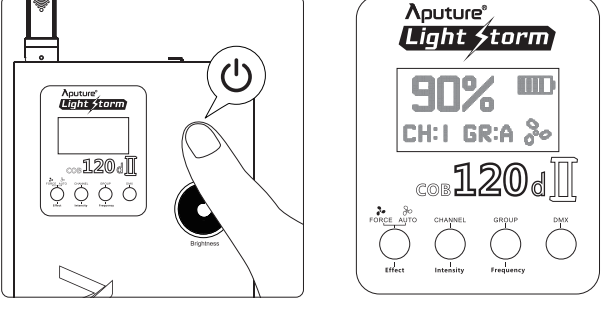
-15-

7. 安装纽扣电池到遥控器



操作

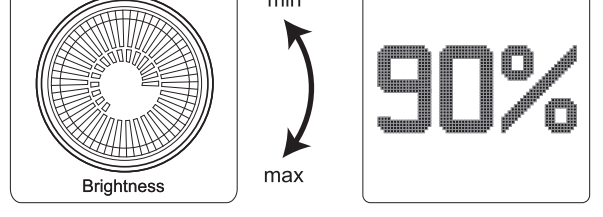
1. 接通电源，打开控制盒电源开关。



\* 光·风暴控制盒和遥控器出厂默认频道为“1”，群组为“A”。

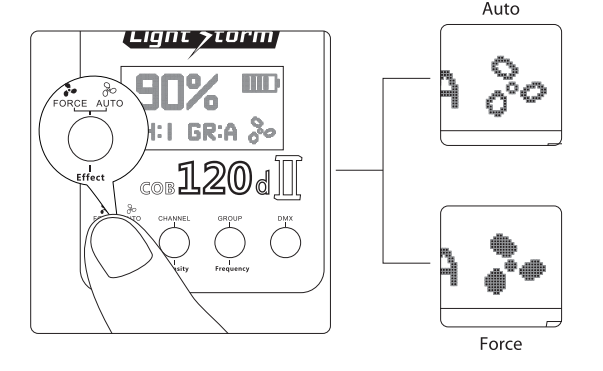
2. 控制盒手动控制

1) 旋转亮度调节旋钮来调节亮度，顺时针变强，逆时针变弱。可实现无极调节。



-8-

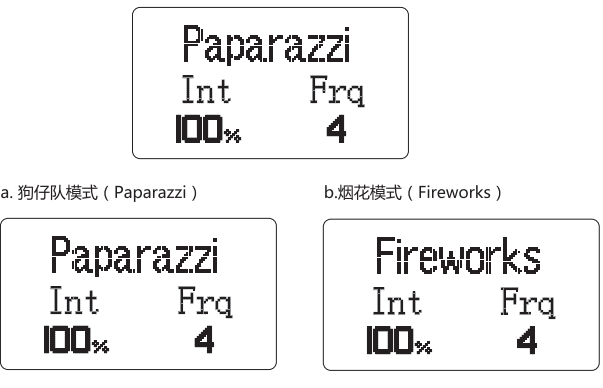
2) 短按Auto/Force 按钮可根据环境需要调整风扇工作模式，显示如下图。



① Auto模式：根据灯体内部温度自动调节风扇转速。(出厂默认Auto工作模式)  
② Force模式：风扇以最高转速工作。达到最佳散热效果。(此模式建议在温度较高环境下使用)

3) 光效调节

① 长按Effect键进入光效模式，进入光效模式后，再短按Effect键可进行狗仔队/烟花/故障灯/闪电/电视五种光效切换。

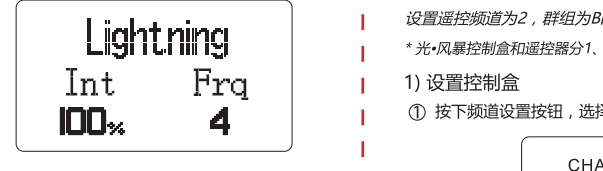


-9-

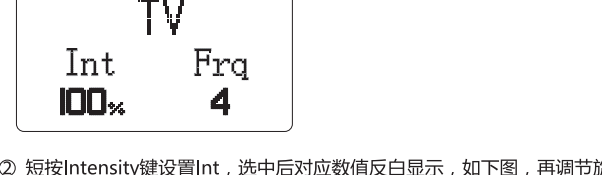
c. 故障灯泡模式 ( Fault bulb )



d. 闪电模式 ( Lightning )

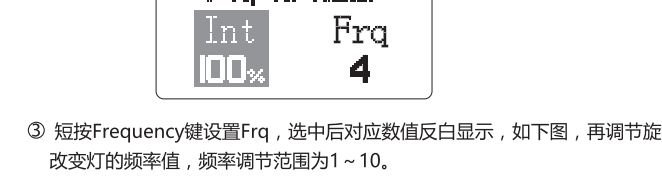


e. 电视模式 ( TV )



② 短按Intensity键设置Int，选中后对应数值反白显示，如下图，再调节旋钮改变灯的亮度值，亮度调节范围为10%~100%。

③ 短按Frequency键设置Frq，选中后对应数值反白显示，如下图，再调节旋钮改变灯的频率值，频率调节范围为1~10。



\* 光效模式下，若突然断电，机器再次上电后，OLED显示屏电能的界面并界面数据操作界面。

-10-

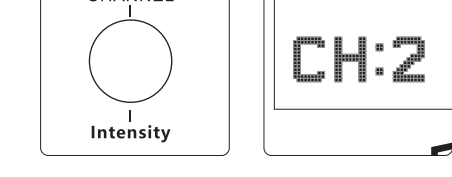
3. 遥控器远程控制

设置遥控频道为2，群组为B时，控制亮度可按如下操作：

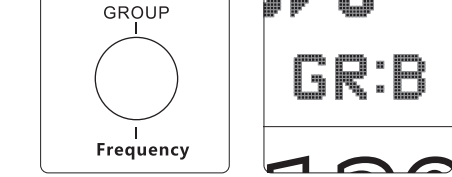
\* 光·风暴控制盒和遥控器分1、2、3三个频道和A、B、C、D四个群组。

1) 设置控制盒

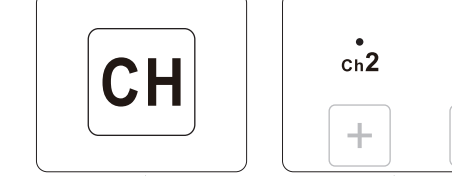
① 按下频道设置按钮，选择频道2，显示如下图。



② 按下群组设置按钮，选择群组B，显示如下图。



2) 遥控器设置和显示



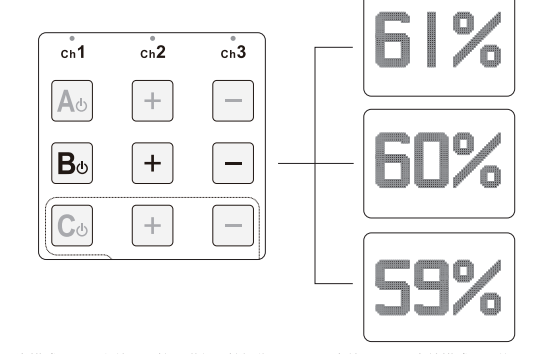
按[CH]键，选择频道2 “ch2” 指示灯亮，选择频道成功

遥控器设置完成，您可以远程遥控频道为2，群组为B的光·风暴LS C120d II。

-11-

3) 亮度调节

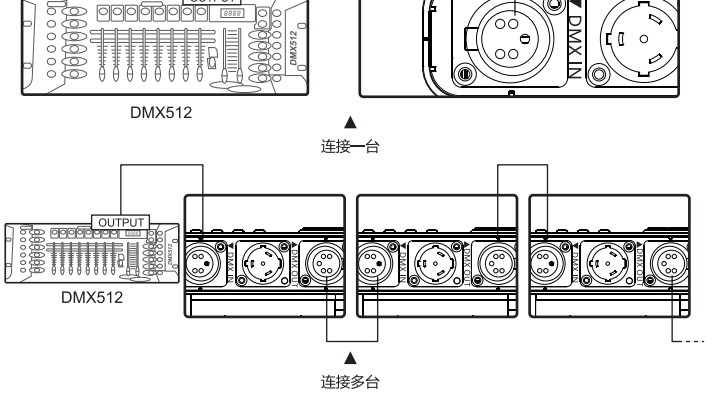
按遥控器B组的(+)(-)按键调节亮度，亮度以1%的变量均匀变化。亮度可调节范围为0~100%。



\* 只有正常模式下，可以使用遥控器进行遥控操作，DMX、光效、DMX光效模式下，均不可以进行遥控操作。

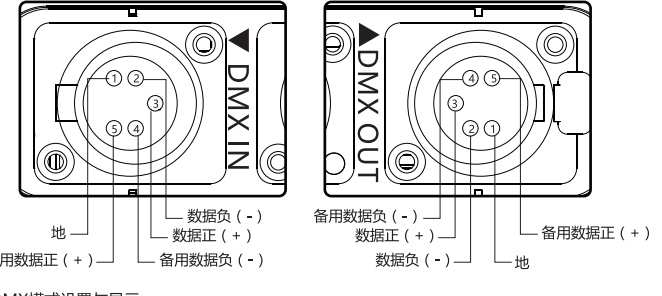
4. DMX控制台控制

1) 连接DMX标准控制台与光·风暴LS C120d II



-12-

\*DMX接口定义如所示：



2) DMX模式设置与显示

① 按控制盒上的DMX模式设置按钮，进入DMX模式，显示如图。



② 进入DMX模式后，可通过旋钮进行通道的增加及减小操作，顺时针增加，逆时针减小。



3) DMX标准控制台控制

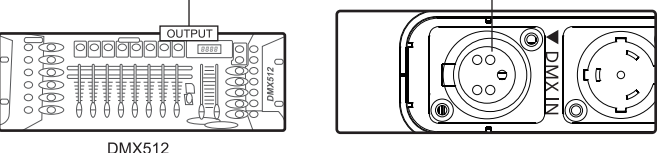
DMX控制台通道数与控制盒DMX通道数保持一致时，可使用控制台进行亮度调节操作。

\* 光·风暴在DMX模式下，控制盒默认通道为1。  
\* 光·风暴在DMX模式下，LS C120d II可设置通道范围为1-512。

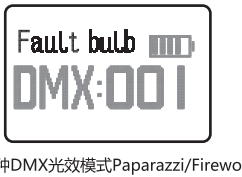
-13-

5. DMX光效操作

1) DMX控制台与控制盒连接，见下图所示。



2) 长按控制盒上的Effect按钮进入光效模式，再通过短按DMX按钮可进入或退出DMX光效模式。见下图所示。



3) 通过短按Effect按钮可在5种DMX光效模式Paparazzi/Fireworks/Fault bulb/Lightning/TV间切换。

4) 通过标准DMX控制台调节亮度和频率。

① 进入DMX光效模式后，通过亮度调节旋钮，可进行DMX通道切换。如下图所示。



② 控制盒需要两个DMX通道分别调节亮度和频率。  
若控制台设置为DMX 001通道时，可通过DMX控制台001通道的滑杆进行亮度 (Int) 调节，002通道的滑杆进行频率 (Frq) 调节；  
同理，若控制台设置为DMX 002通道时，DMX控制台002通道的滑杆可进行亮度调节，003通道的滑杆进行频率调节。

\* 进入DMX光效模式后，只能通过DMX控制台进行亮度及频率调节。

\* 若多台灯进行联合控制时，控制台分别设置为DMX 001及DMX 002通道，则DMX控制台002通道滑杆会调整DMX 001控制盒的光效频率，同时又会调整DMX 002控制盒的光效亮度；为了方便使用，在DMX光效模式下，进行多台联合控制时，请不要使用连续的DMX通道。

-14-